

GEMStar XT GB™ Glovebox Interface Option



Molecular Innovation™

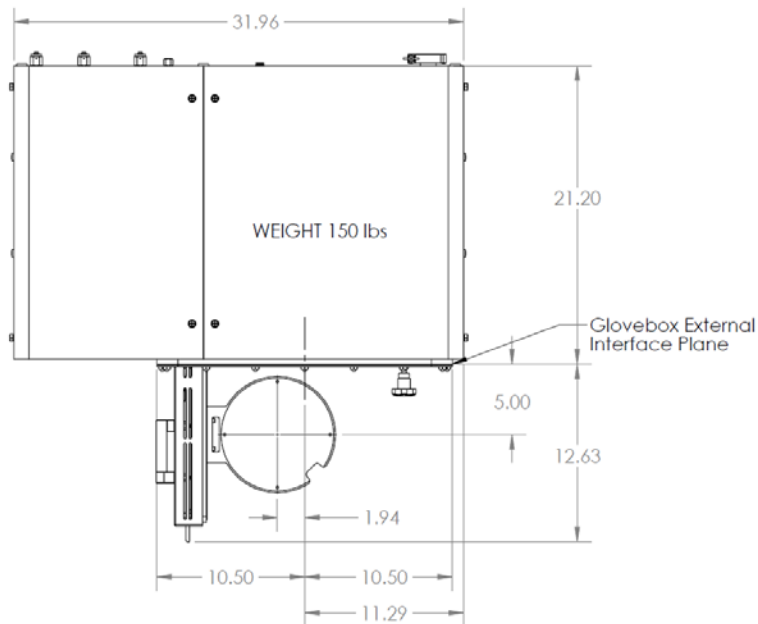
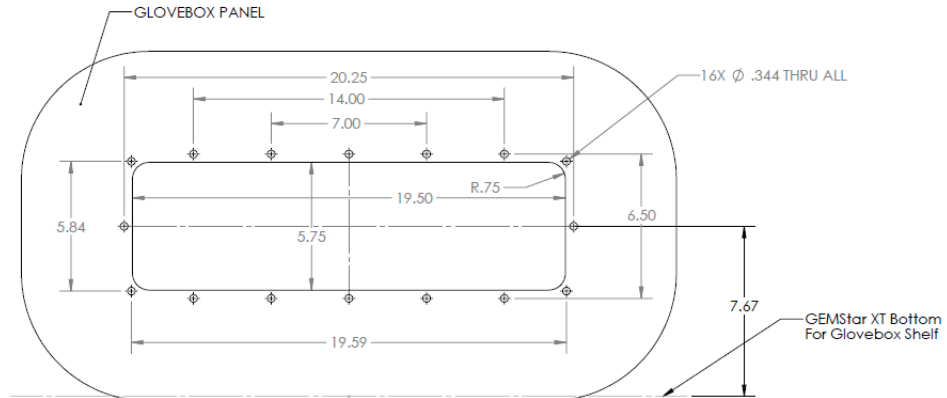
The GEMStar XT GB *Benchtop Glovebox Interface* is designed to offer GEMStar XT Benchtop ALD Systems the ability to maintain substrates in a clean Glovebox environment without requiring air exposure for ALD processing.

Some key features of the option include:

- ◆ GEMStar XT 4,6,8 and PEALD Compatibility
- ◆ Minimal internal Glovebox space required
- ◆ Left, Back, Right mounting capability depending on Glovebox manufacturer and Glovebox depth



Glovebox Cutout For Interface



GEMStar XT GB™ Glovebox Interface Option

GEMStar XT GB Specifications	
Compatibility	GEMStar XT 4, 6, 8, and PEAD Systems
Glovebox Mounting	16 1/4-20 Hardened Steel Studs With Internal Retainer and nuts
GS Reactor Seal	High temperature Kalrez O-ring
Glovebox Seal	3/8 Thick Plain Back Ultra-Strength Buna-N Rubber Gasket
Electronic Door Connector	O-ring Sealed IP67 - Dust Tight, Waterproof

Glovebox Interface Examples

